

# Water fireplace AQUARIO 016 PW

AQUARIO/O/16/PW/W

EAN:

5901350065402

Aquario insert is a water-jacket device with a corpus built of double steel walls. The space between them is filled with water that receives heat and transfers it to the heating system.



## Technical Specifications

Rated output (kW)	16,0
Average power of the water (kW)	9,0
Range of heating power (kW)	7-19
Efficiency (%)	82,0
The maximum operating pressure (bar)	2,0
Exhaust outlet diameter (mm)	200
Complies with Ecodesign criteria	Yes
Designed for heat recovery unit	Yes
Fuel type	recommended seasoned hardwood with moisture $\leq 20\%$
Weight (kg)	305,0
Water capacity (l)	88,0
CO emission (at 13% O <sub>2</sub> ) $\leq$ given in %	0,10
Flue gas temperature (°C)	215,0
Max log length (cm)	55
Emission of dust (mg/Nm <sup>3</sup> )	11,0
Compliance with BlmSchV 2 standard	Yes

The energy efficiency index EEI	108,00
Glazing type	straight
Opening of the doors	to the left
Material	steel
Width (cm)	78,40
Height (cm)	133,50
Depth (cm)	48,20
External air inlet	Yes
The liner of the combustion chamber	Yes
Ashpan	No
Decorative printed glass	No
Coil	Yes

## Features

---

### MAXIMUM USE OF ENERGY

Aquario insert is a water-jacket device with a corpus built of double steel walls. The space between them is filled with water that receives heat and transfers it to the heating system.

Efficient burning process and maintaining of temperature to keep the warmth for longer thanks to lining of combustion chamber with Acumotte - heat accumulating material which raises the temperature in the combustion chamber.

Special water system which allows that big amount of the heat from fumes is transferred into heating system, thanks to that high energy efficiency is obtained.

More ecological combustion thanks to double deflector system which extends the exhaust gas path.

Double-damper regulation of fumes outlet: upper damper which allows to regulate chimney draught, bottom damper which switches the insert between firing-up stage to burning process.

The combustion chamber ventilation system is operated exclusively from the outside by supplying primary and secondary air to the combustion chamber. As standard, the insert has an external air inlet of 125 mm diameter which allows fresh air to be supplied to the furnace from the outside of the building. The air separation takes place in the spaces below the bottom plate of the hearth. The air is supplied by a canal at the height of the lower plate to the fence, which is fitted with the system of holes through the entire length.. This contributes to improvement combustion conditions. Burning takes place evenly over the entire width of the hearth. Adjustment of combustion intensity in the insert is made by means of the mechanism below the door.

The insert has an air curtain, so called clean window system without taking out air from the room. This is a special aeration of glass to keep it clean. The air is taken out through the air inlet connector and then supplied with special ducts in the sides of the appliance to the chamber lying in the top of the insert. Then it is evenly distributed on the glass, so it stays clean.

The afterburning system is responsible for limiting the harmful emissions to the environment and improving the efficiency of the insert. Thanks to this solution, the inserts achieve very good CO emission parameters (low CO emission).

### **SAFETY AT THE HIGHEST LEVEL**

Front of the insert is equipped with a heat resistant ceramic withstanding temperatures up to 800°C. We offered by us glass certified quality and safety.

Protection against overheating by the built-in coil pipe - connector input / output 1/2". The body of the fireplace is reinforced by pins.

Body and front of the insert resistant to high temperatures thanks to the use of high quality steel.

Perfect tightness thanks to the solid welds made in a noble gas shielding. All steel elements are laser cut and bent on CNC bending machines.

### **CONVENIENT TO USE**

Grateless fireplace insert - full combustion on the dust what means that firewood burns into fine ash at minimum amount. Obtained thermal energy from firewood is exploited to the maximum.

Reduced soot deposition through a system of pure glass (air curtain).

It can be used in a various mounting conditions thanks to adjustable legs.

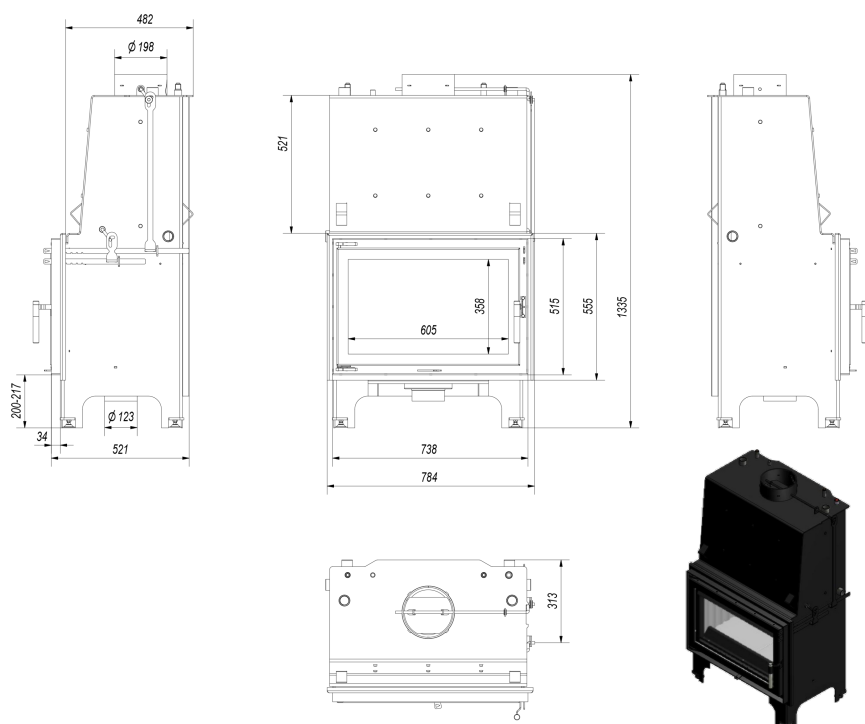
### **MODERN DESIGN**

The built-in insert with a water system does not look different from a typical air insert. It only extends the advantages of the latter to the possibility of connecting the fireplace to the system of central heating.

The insert is fitted with an elegant and comfortable handle.

## **Technical drawing**

---



## Additional options



**Spring for door shutting AQUARIO**  
Spring for door shutting - automatically closes the door.

200,00 zł



**Podstawa pod wkład typu BS**  
Nogi pod wkłady typu BS, MILA, MILA PW, BASIA, AQUARIO, BLANKA umożliwiają stabilne i bezproblemowe ustawienie wkładu kominkowego, możliwość regulacji wysokości.

123,00 zł



**Steel pipe 200/1m**  
Exhaust pipe designed for connecting wood-fired fireplace inserts an the existing flue pipes.

99,00 zł



**Steel pipe 200/0.5m**  
Exhaust pipe designed for connecting wood-fired fireplace inserts an the existing flue pipes.

68,00 zł



### Movable elbow 200/90

98,00 zł

Adjustable elbow up to 90°, 3-segment, diameter: 200 mm.



### The passage from the pipe system

119,00 zł

Ø 200

The passage from the pipe system to the ceramic chimney Ø200.

## Warranty

---

Wszystkie produkty dostępne na [www.kratki.com](http://www.kratki.com) są fabrycznie nowe, wolne od wad fizycznych i prawnych oraz zostały legalnie wprowadzone na rynek polski. Producent udziela 5 lat gwarancji od momentu zakupu wkładu na jego sprawne działanie. Wyłożenie ceramiczne objęte jest gwarancją na okres 2 lat od momentu zakupu wkładu. Uszczelnienia kominka objęte jest gwarancją na okres 1 roku od momentu zakupu wkładu. Gwarancją nie jest objęta: ceramika żaroodporna. Zastosowanie wkładu kominkowego, sposób podłączenia do komina oraz warunki eksploatacji muszą być zgodne z instrukcją obsługi.

## Return

---

Klient będący Konsumentem, który zawarł Umowę sprzedaży, może w terminie 14 dni odstąpić od niej bez podawania przyczyny. Bieg terminu na odstąpienie od Umowy sprzedaży rozpoczyna się od chwili objęcia Towaru w posiadanie przez Klienta lub wskazaną przez niego osobę trzecią inną niż przewoźnik. Oświadczenie można złożyć na formularzu, którego wzór został zamieszczony przez Sprzedawcę na Stronie Internetowej Sklepu pod adresem: **formularz odstąpienia**.



**Kratki.pl Marek Bal**  
ul. W. Gombrowicza 4  
26-660 Wsola/Jedlińsk

**www.kratki.com**  
+48 48 338 44 88

Date of publication:  
07.09.2018