

# Fireplace ZIBI 12 left BS DECO ZIBI/L/BS/DECO

The insert with interesting shape and side glass, equipped in decorative glass. Thanks to double vision of fire and simple front frame it is designed for the modern home, with unique styling.



## Technical Specifications

Rated output (kW)	11,0
Range of heating power (kW)	4.5 - 14.0
Efficiency (%)	80,0
Exhaust outlet diameter (mm)	180
Complies with Ecodesign criteria	Yes
Designed for heat recovery unit	Yes
Fuel type	recommended seasoned hardwood with moisture $\leq 20\%$
Weight (kg)	151,0
CO emission (at 13% O <sub>2</sub> ) $\leq$ given in %	0,10
Flue gas temperature (°C)	290,0
Max log length (cm)	40
Emission of dust (mg/Nm <sup>3</sup> )	38,0
Compliance with BlmSchV 2 standard	Yes
The energy efficiency index EEI	105,40
The minimum active field of exhaust grilles (cm <sup>2</sup> )	$\geq 900$
The minimum active field of inlet grilles (cm <sup>2</sup> )	$\geq 700$
Glazing type	lateral
Opening of the doors	to the left

Material	steel
Depth (cm)	44,00
External air inlet	Yes
The liner of the combustion chamber	Yes
Ashpan	No
Decorative printed glass	Yes

## Features

---

The insert with interesting shape and side glass, equipped in decorative glass. Thanks to double vision of fire and simple front frame it is designed for the modern home, with unique styling. Such types of inserts are good choice for open spaces where different rooms are connected e.g. living room and dining room.

### **MODERN DESIGN**

The insert has singular decorative glass thanks to that it looks elegant and modern. Such solution visually enlarges the front of the insert and emphasizes the view of the fire.

The door of the insert has comfortable handle.

### **MAXIMUM USE OF ENERGY**

More efficient combustion and longer maintenance of temperature by lining the combustion chamber with ceramic material Acumotte which accumulates heat and raises the temperature in the furnace.

Full combustion on the dust thanks to two deflectors which extend the exhaust path. This process increases the efficiency of burning and guarantees better energy use. It also minimizes the emission of harmful substances to the atmosphere.

Air supply to the inserts comes only from outside thanks to the inbuilt air intake connector fi 125 mm. It is controlled by an adjustable throttle with one controller beneath the door. This solution excludes errors of improper use. The whole mechanism works very quietly and flawlessly.

In this insert there is double air system of combustion chamber. Primary air which enables setting a fire is supplied by a system of holes in the fence.

Additionally, this insert is equipped with Clea Galss System (air curtain), so the air is supplied directly to the glass through a system of channels located on the sides of the fireplace. In this way oxygen is supplied to the upper part of the combustion chamber, where happens post-combustion of gases produced while combustion of wood. At the same time it reduces harmful CO emissions to the atmosphere.

Such air system enables to control burning process very precisely.

In addition, the maximum use of heat is due to the densely spaced radiators.

## **ECOLOGICAL COMBUSTION**

The unit meets the requirements of **Ecodesign** standards and the restrictions of the **BImSchV 2** standard, which determines the maximum CO emission.

## **SAFETY ON THE HIGHEST LEVEL**

Front of the insert is equipped with a heat resistant ceramic withstanding temperatures up to 800°C. We offered by us glass certified quality and safety.

The body and the front of the insert is resistant to high temperatures through the use of high quality steel.

Excellent tightness thanks to the solid welding made in shielded noble gas. Steel elements are laser cut with the help of modern equipment, and then they are bent on CNC benders.

## **COMFORTABLE USE**

Non-grate insert offers so-called phenomenon of up burning of the ashes. In practice, this means that the burning fuel to a fine ash which is the minimum amount. Thus obtained thermal energy from wood is used up.

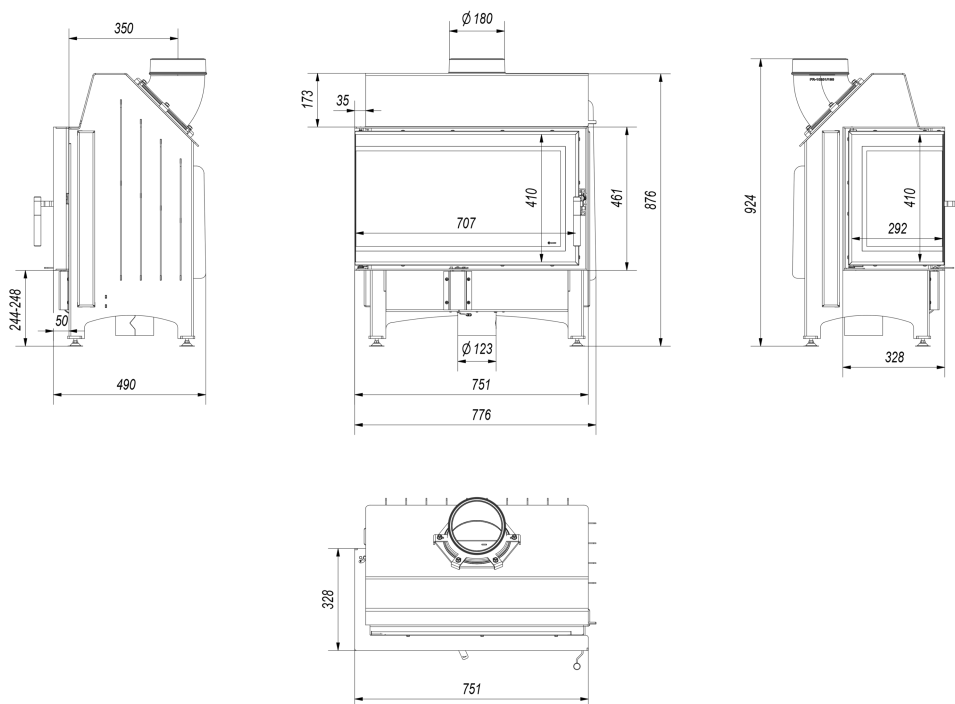
Reduced soot deposition through a system of clean glass system (air curtain). Air curtain separates the glass from the chamber thanks of that the glass doesn't become dirty and emit more heat to the room.

Insert can be easily elevate thanks to the regulated the legs.

The model is equipped with a movable exhaust outlet and thanks to that there is no need to purchase additional knees for installation. It is possible due to easy adjustment of the angle of connection to the chimney system.

# Technical drawing

---



## Additional options



### Podstawa pod wkład ZIBI

123,00 zł

Nogi pod wkład ZIBI umożliwiają stabilne i bezproblemowe ustawienie wkładu kominkowego, możliwość regulacji wysokości.



### Steel pipe 180/1m

95,00 zł

Exhaust pipe designed for connecting wood-fired fireplace inserts an the existing flue pipes.



### Steel pipe 180/0.5m

63,00 zł

Exhaust pipe designed for connecting wood-fired fireplace inserts an the existing flue pipes.



### Movable elbow 180/90

94,00 zł

Adjustable elbow up to 90°, 3-segment, diameter: 180 mm.



### The passage from the pipe system $\varnothing 180$

119,00 zł

The passage from the pipe system to the ceramic

chimney Ø180.



The passage from the reduction  
from the pipe system Ø 180/200

120,00 zł

The passage from the pipe system to the ceramic  
chimney Ø 180/200.



**Kratki.pl Marek Bal**

ul. W. Gombrowicza 4  
26-660 Wsola/Jedlińsk

**www.kratki.com**

+48 48 338 44 88

Date of publication:

04.07.2018