

Fireplace WIKTOR 14 guillotine

WIKTOR/G

Fireplace with trapezoid ground plate, dedicated to small and medium houses. Big vision of fire with relatively low heating power and size.



Technical Specifications

Rated output (kW)	14,0
Range of heating power (kW)	7.0 - 18.0
Efficiency (%)	70,0
Exhaust outlet diameter (mm)	200
Complies with Ecodesign criteria	No
Designed for heat recovery unit	No
Fuel type	recommended seasoned hardwood with moisture $\leq 20\%$
Weight (kg)	201,0
CO emission (at 13% O ₂) \leq given in %	0,61
Flue gas temperature (°C)	352,0
Max log length (cm)	45
Emission of dust (mg/Nm ³)	99,7
Compliance with BImSchV 2 standard	No
The energy efficiency index EEI	92,35
The minimum active field of exhaust grilles (cm ²)	≥ 900
The minimum active field of inlet grilles (cm ²)	≥ 700
Glazing type	straight
Opening of the doors	lift up

Material	cast iron, steel
Width (cm)	90,40
Height (cm)	114,00
Depth (cm)	43,70
External air inlet	No
The liner of the combustion chamber	No
Ashpan	Yes
Decorative printed glass	Yes

Features

MAXIMUM USE OF ENERGY

Maximum use of heat due to densely spaced radiators and the wall of the insert made of high quality cast iron with a thickness of 8 mm.

Increased heat exchange surface between the hot exhaust gases and the room due to the high flue.

Combustion of fuel particles thanks to deflector, which extends the exhaust gas path.

Increased efficiency of the insert through manual control of chimney draft by using the built-in damper.

Manual control over the combustion process carried out by ash tray regulator.

SAFETY AT THE HIGHEST LEVEL

Front of insert is equipped with a heat-resistant ceramics that can withstand temperatures up to 800°C.

Decorative fence helps to maintain the tidiness and protects against falling out of wood.

Fireplace's doors resistant to tensions and stable thanks to the use of closed profile. Door seals designed in profiled canal what guarantees proper adherence and protects against eventual falling out while operating.

CONVENIENT TO USE

The door of the insert works in the lift up system - the window is lifted up. This system was built based on the counterweight - the steel cable pulley works in guides on two ball bearings, thanks to which the weight of the door is distributed evenly. They move on fireproof bearings along the sliding guides mounted in the frame, which guarantees their light, quiet and trouble-free operation. Movement of the door runs a few millimetres away from the body, which prevents damage to the seal. Lockable doors are pressed with great force into the frame, thanks to which the furnace is completely sealed.

Thanks to the raised and lowered door, you can load the right amount of wood at a time. An additional mechanism that allows the side windows to be opened, making them easier to clean and to keep the

furnace clean.

Ash drawer / ashtray, where the remains of burnt wood are gathered and grate for easy ash removal.

Reduced soot deposition through a system of pure glass (air curtain).

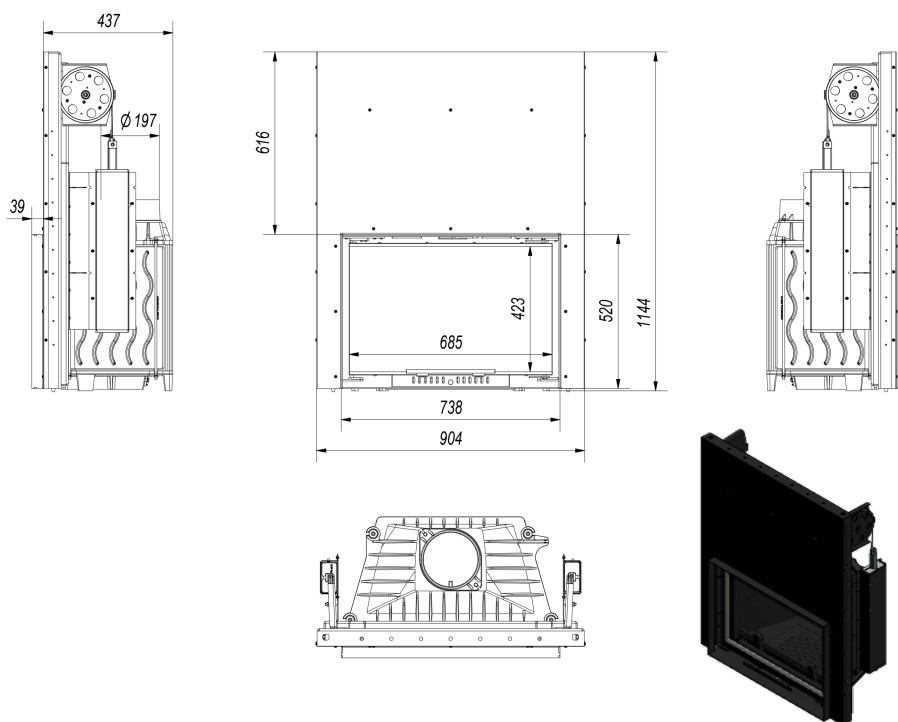
A convenient handle to open the door.

The possibility of levelling the fireplace insert thanks to the adjustable legs.

MODERN DESIGN

Decorative, heat-resistant glass that can withstand temperatures up to 800oC. It gives a fireplace a modern and elegant look, visually enlarges the front of the insert.

Technical drawing



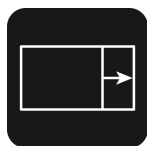
Additional options



External air inlet - additional option

External air inlet - special connector mounted in fireplace insert, which provides fresh air directly from outside.

183,00 zł



Spring for door shutting

200,00 zł

Spring for door shutting - automatically closes the door.



Podstawa pod wkład AMELIA, OLIWIA, WIKTOR i FELIX

159,00 zł

Podstawa pod wkład AMELIA, OLIWIA, WIKTOR i FELIX umożliwia stabilne ustawienie wkładu kominkowego, możliwość regulacji wysokości nóg.



Steel pipe 200/1m

99,00 zł

Exhaust pipe designed for connecting wood-fired fireplace inserts an the existing flue pipes.



Steel pipe 200/0.5m

68,00 zł

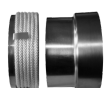
Exhaust pipe designed for connecting wood-fired fireplace inserts an the existing flue pipes.



Movable elbow 200/90

98,00 zł

Adjustable elbow up to 90°, 3-segment, diameter: 200 mm.



The passage from the pipe system Ø 200

119,00 zł

The passage from the pipe system to the ceramic chimney Ø200.

Warranty

Wszystkie produkty dostępne na www.kratki.com są fabrycznie nowe, wolne od wad fizycznych i prawnych oraz zostały legalnie wprowadzone na rynek polski. Producent udziela 5 lat gwarancji od momentu zakupu wkładu na jego sprawne działanie. Ruszt i uszczelnienia kominka objęte są gwarancją na okres 1 roku od momentu zakupu wkładu. Gwarancją nie jest objęta: ceramika żaroodporna. Zastosowanie wkładu kominkowego, sposób podłączenia do komina oraz warunki eksploatacji muszą być zgodne z instrukcją obsługi.

Return

Klient będący Konsumentem, który zawarł Umowę sprzedaży, może w terminie 14 dni odstąpić od niej bez podawania przyczyny. Bieg terminu na odstąpienie od Umowy sprzedaży rozpoczyna się od chwili objęcia Towaru w posiadanie przez Klienta lub wskazaną przez niego osobę trzecią inną niż przewoźnik. Oświadczenie można złożyć na formularzu, którego wzór został zamieszczony przez Sprzedawcę na Stronie Internetowej Sklepu pod adresem: **formularz odstąpienia**.



kratki

Kratki.pl Marek Bal
ul. W. Gombrowicza 4
26-660 Wsola/Jedlińsk

www.kratki.com
+48 48 338 44 88

Date of publication:
28.06.2018